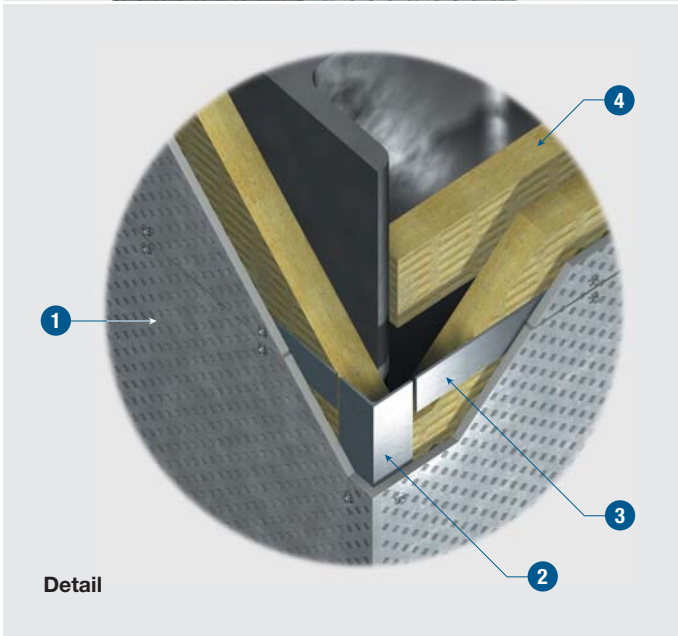
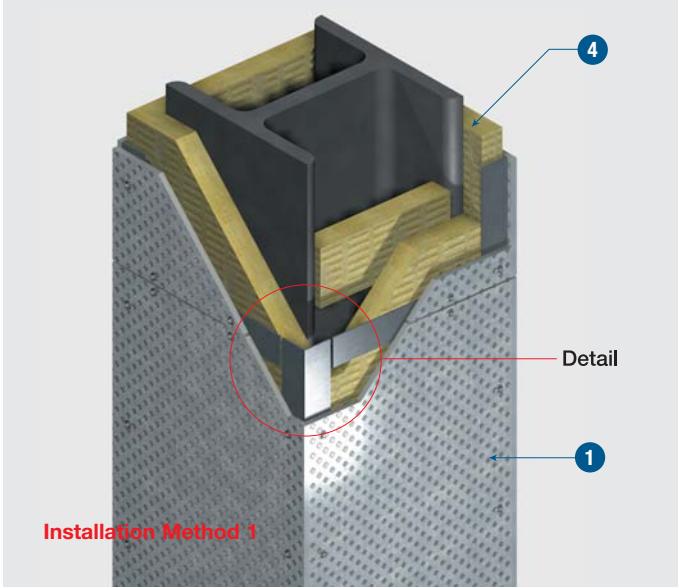


PS 01



PROMATECT®-S boards have a particularly high degree of mechanical strength and fire performance. This product is therefore eminently suitable for use in those areas of a building where the exceptional performance characteristics of PROMATECT®-S come into their own.

For use in extreme and aggressive environments, for example warehousing, car parks etc, locations where the more usual forms of fire protective claddings could be susceptible to damage, but where PROMATECT®-S and the very high impact resistance performance associated with this product ensures that no matter what the conditions, rest assured that your structural steelwork will always remain protected.

The systems as detailed below are comprised of a fire resistant cladding material (New PROMALIT® or similar and approved) to provide the requisite insulation to the steel members, and then over clad with 6mm or 9.5mm PROMATECT®-S in order to finish the encasement with a hard wearing and durable cladding which in its own right offers exceptional performance under exposure to fire.

TECHNICAL DATA

- 1 PROMATECT®-S
- 2 Corner reinforcing angle, 50mm x 50mm x 3mm thick
- 3 Flat bar joint backing, 100mm x 3mm thick
- 4 Promat steel protection system
(Refer to Promat Technical Department for further details)

PS 02

